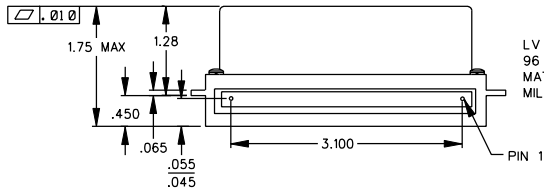
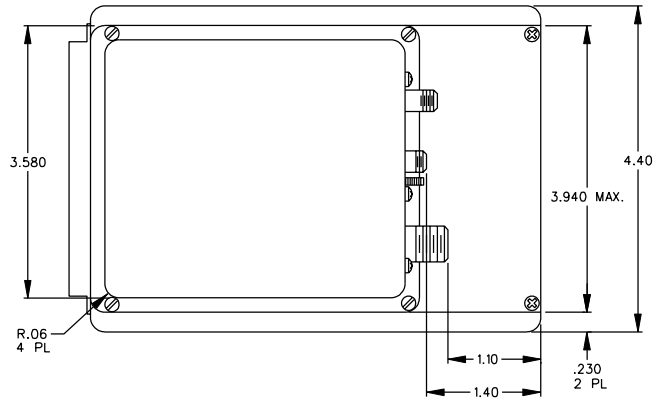
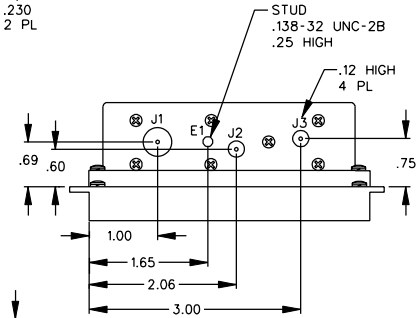
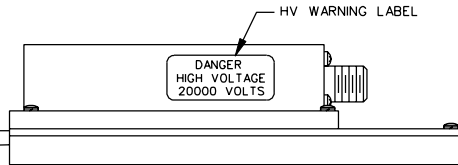


PIN NO.	FUNCTION
a 1,2	FOCUS & GRID2 ADJ REFERENCE
a 3,5	ADJ RETURN
a 4	THERMOSTAT
a 6	GRID2 ADJ
a 7	REMOTE
a 8	SIGNATURE
a 9	GRID2 MONITOR OUT
a 10,11	RETURN
a 12,13	+V INPUT
a 14	FOCUS MONITOR OUT
a 15	DYNAMIC FOCUS - INPUT
a 16	DYNAMIC FOCUS - RETURN
a 17	FOCUS ADJ
a 18,20	CHASSIS GND
a 19	GRID1 OUT
a 21	ANODE MONITOR
a22 - a32	TEST POINTS

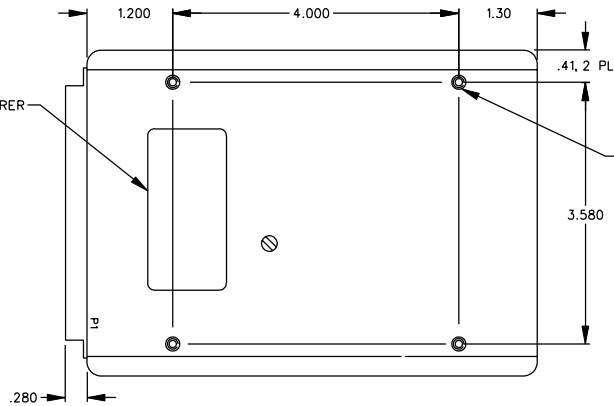


LV CONNECTOR
96 PIN CONNECTOR
MATES WITH
MIL-C-55302/132-01



FUNCTION	LOCATION	TYPE
ANODE	J1	LGH1 I EQUIVALENT
G2	J2	LGH1/2 I EQUIVALENT
FOCUS	J3	LGH1/2 LI EQUIVALENT

MANUFACTURER
I.D. LABEL



.138-32 UNC-2B LOCKING
INSERT
.5 MIN. DEEP
4 PL

