



HDM-SK Socket Kit Information

General Description

This application note provides information for implementation and use of mating sockets with Rantec's HDM DC-DC converter modules. The use of mating sockets in an interface printed wiring board (PWB), rather than soldering, may improve system production and repair times, while maintaining compliance with military standards (MIL-STD). Using a system PWB interface is the preferred electrical and mechanical approach for the HDM modules, resulting in superior reliability, predictable ripple and noise results, and ease of assembly.

Section 1 of this Application Note contains socket kit and individual socket part numbers and dimensions. Section 2 describes the recommended interface PWB pad sizes for the sockets.

Implementation

It is important to keep the sockets aligned perpendicular to the PWB during soldering. Failure to do so could result in overstress and damage to the HDM module pins because of misalignment. It is also important to keep solder out of the mating area of the socket, as this would prevent proper socket-to-pin contact.

1) Rantec HDM Socket Kit Information

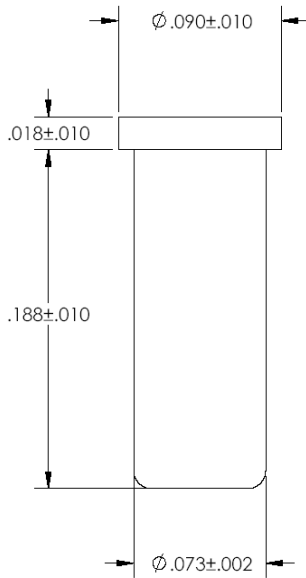
All sockets are gold plated unless otherwise noted.

Rantec P/N	Qty	Position	Rantec Recommended PCB Hole Dia	HDM Mating Pin Dia	Comments
Single Socket Set PL28369					
09-9001-1-06	1	+S	.078 +.000/-.003	0.040	Gold inside, Tin/Lead outside
27502	1	SYNC	.071 +.003/-.000	.025 Square	
YSK0102-004AH	8*	±IN,ON/OFF,PAR,TRIM,-S,OG	.113 ±.002	0.040	
YSK035-063AH	2	±OUT	.265 +.000/-.003	0.137	
Triple Socket Set PL28617					
27502	1	SYNC	.071 +.003/-.000	.025 Square	
YSK0102-004AH	13	±IN,±OUT,ON/OFF,TRIM,±S,OG	.113 ±.002	0.040	
YSK025-023AH	2	±OUT	.221 ±.003	0.098	
LP Socket Set PL32304					
30344	2	±OUT	.122 ±.002	0.080	
30345	1	SYNC	.067 ±.003	.025 Square	
YSK0102-004AH	6	±IN,ON/OFF,TRIM,±S	.113 ±.002	0.040	
HDM-200 Socket Set PL32302					
32558	12	±IN,±S,PAR,OC,OVP,TRIM,SD,TEMP,SYNC,OG	.062 ±.002	0.031	
YSK035-063AH	2	±OUT	.265 +.000/-.003	0.137	
LLP Socket Set PL32303					
YSK0102-004AH	8	±IN,±SENSE,SYNC,+SD, ±OUT	.113 ±.002	0.040	
HDF-DC500 Socket Set PL32559					
YSK0102-004AH	4	±IN,±OUT	.113 ±.002	0.040	

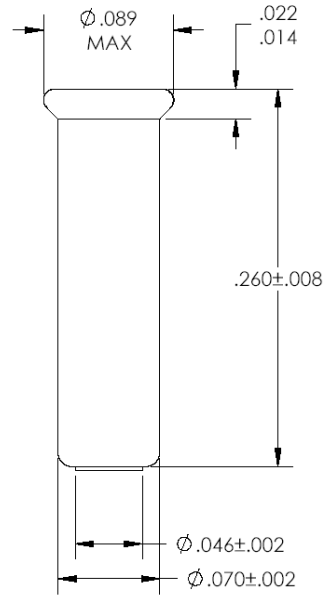
*270Vin HDM+ only uses quantity 6.

Individual Socket Dimensions

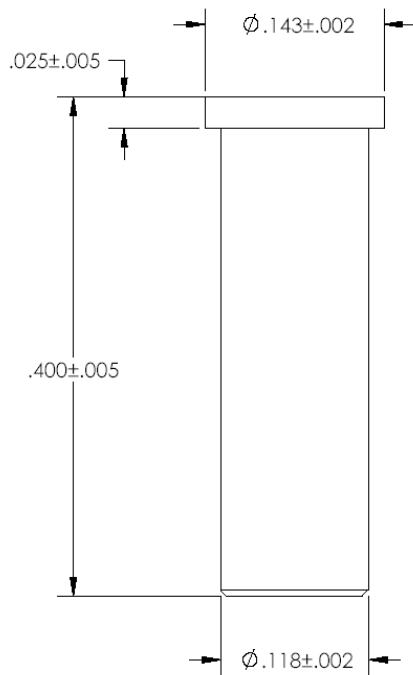
Socket #09-9001-1-06



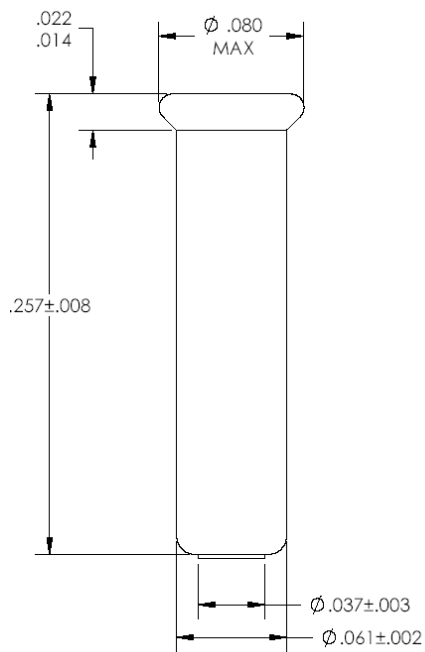
Socket #27502



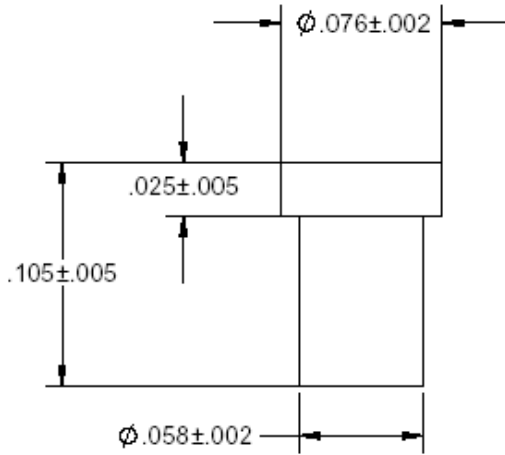
Socket #30344



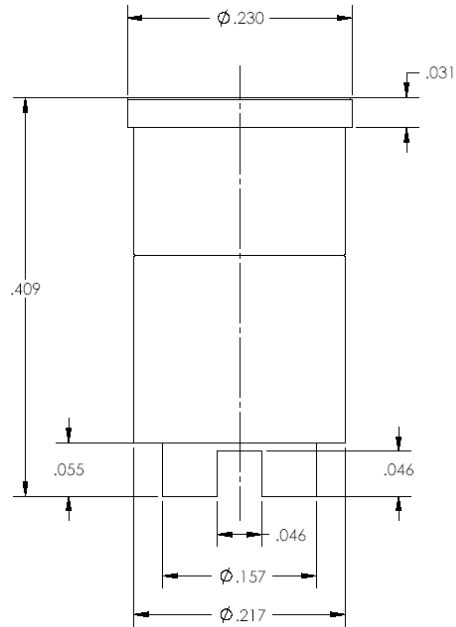
Socket #30345



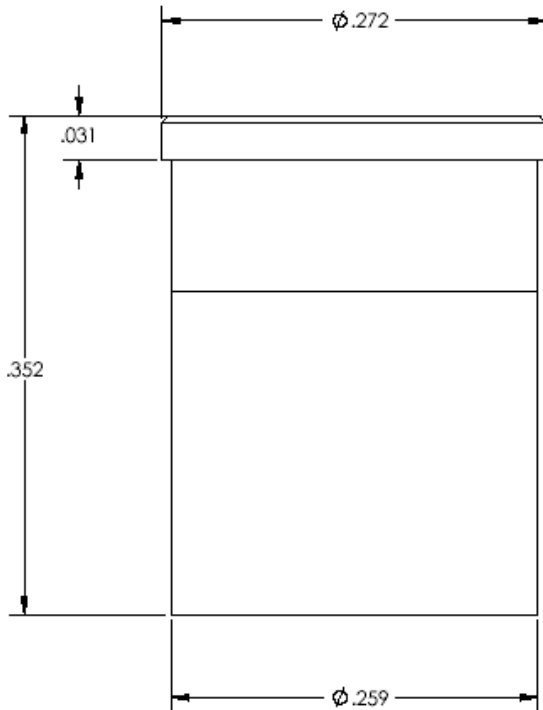
Socket #32558



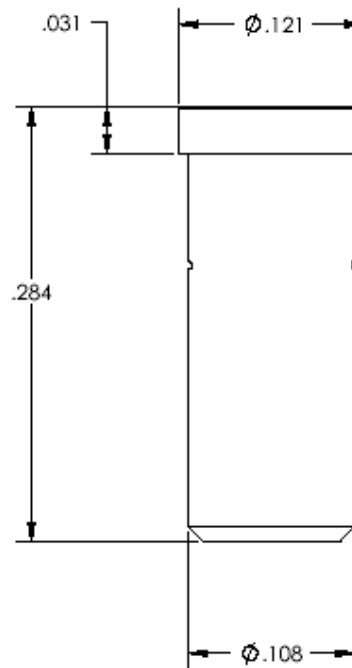
Socket #YSK025-002



Socket #YSK035-063AH



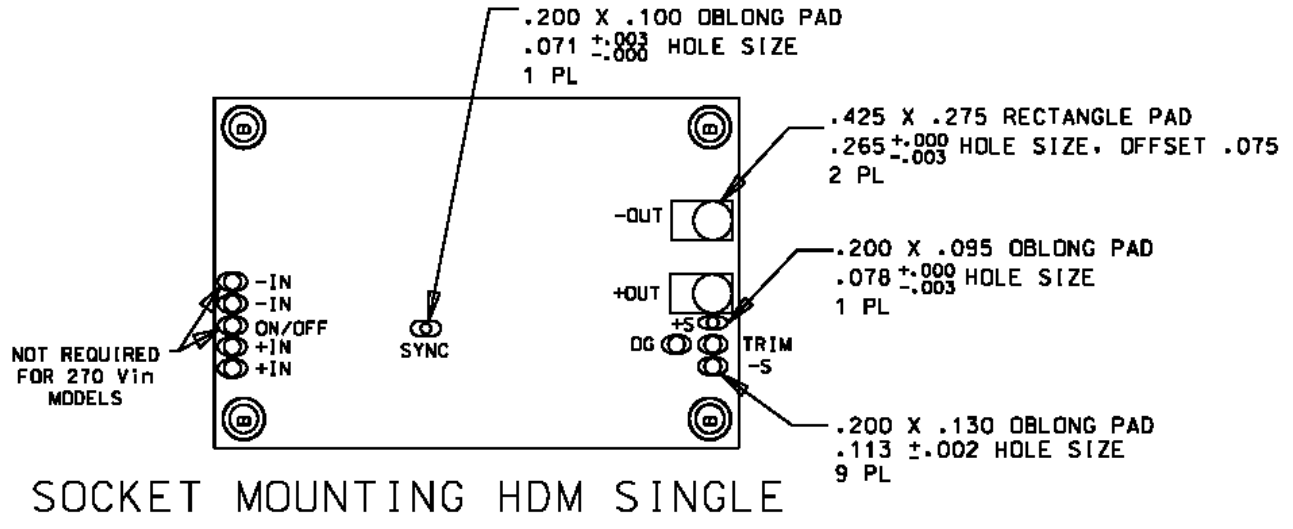
Socket #YSK0102-004AH



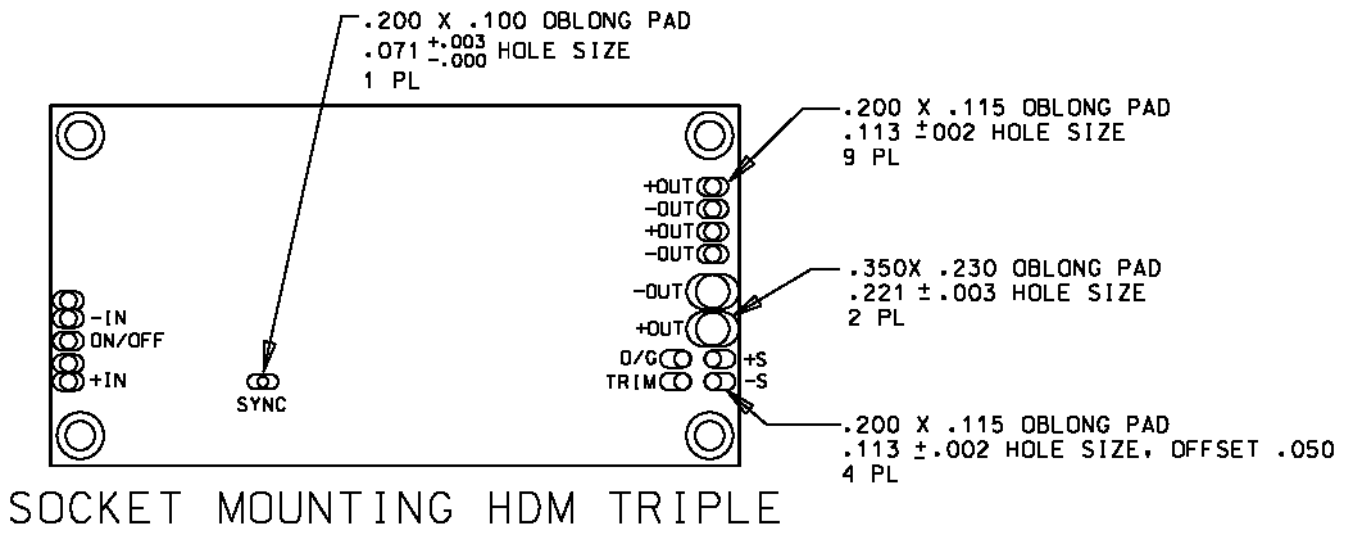
2) Printed Wiring Board Pad Sizes

The following drawings are Rantec's recommended pad sizes when using sockets. For hole location dimensions, refer to the appropriate HDM datasheet and / or outline and mounting drawing (O&M) available on our website or from the factory.

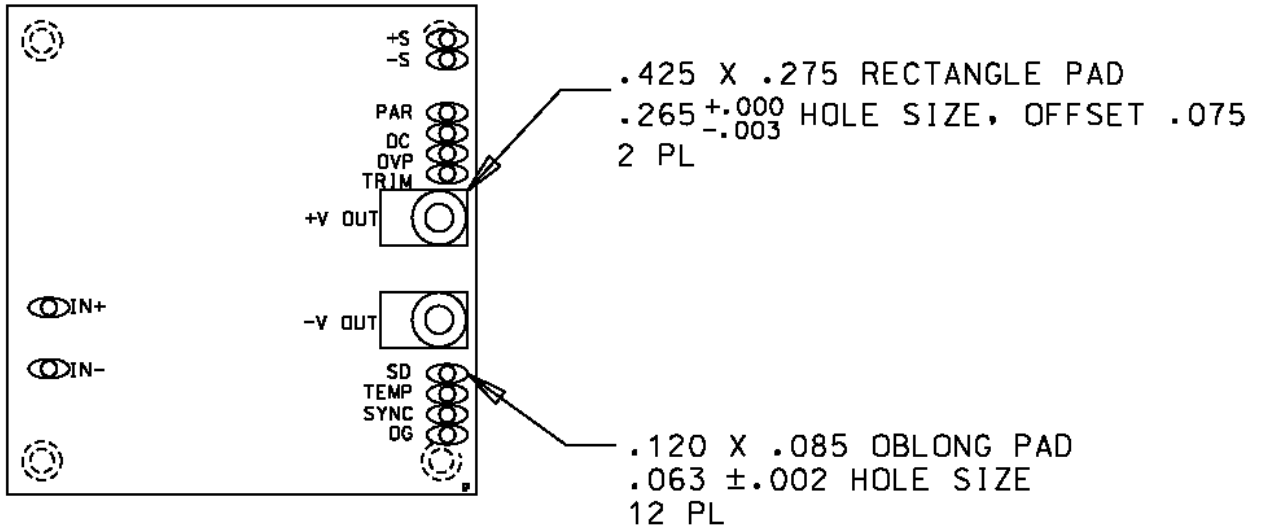
250W HDM and HDM+ Singles



HDM Triples

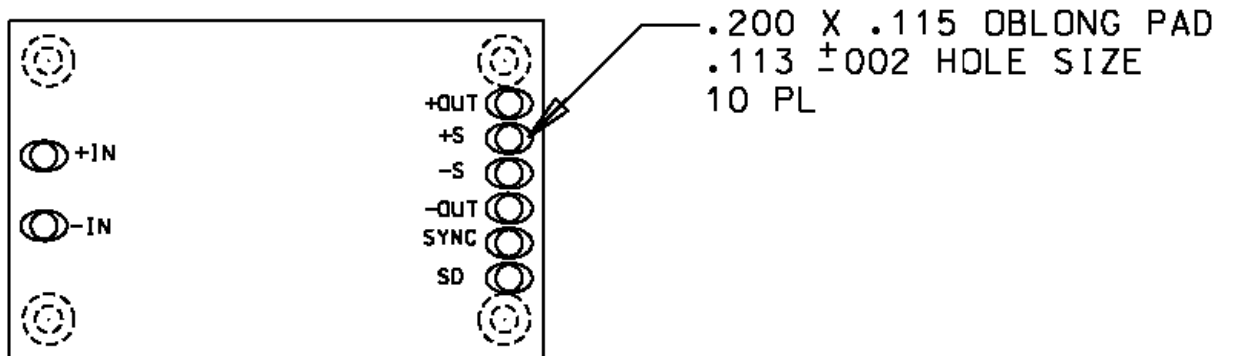


HDM-200



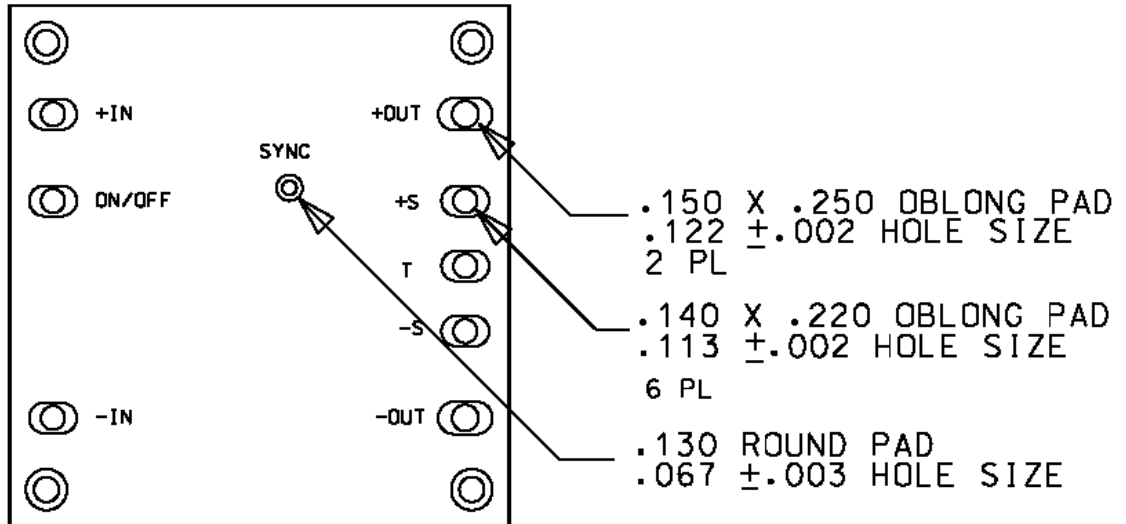
SOCKET MOUNTING HDM-200

HDM-LLP



SOCKET MOUNTING LLP

HDM-LP



SOCKET MOUNTING HDM LP