

Power Solutions for Today's Military

Power Systems from **COTS+**™ Building Blocks

HDM-IA-P

Interface Assembly
270V input DC-DC Converter

- ◆ Rantec HDM module with Interface Card
- ◆ True Plug-and-Play
- ◆ Ideal for use in development-will transition to production
- ◆ Conduction cooled
- ◆ Differential mode filtering
- ◆ Shielded for improved EMI performance
- ◆ Isolated On/Off
- ◆ Wide input voltage range
- ◆ Competitively priced
- ◆ D-Sub output connector
- ◆ Remote sense
- ◆ Additional outputs and configurations available



The HDM Interface assembly is a true plug-and-play DC to DC converter. Use "as-is" as a basic building block for performance based "Power System Solutions."

The assembly is ideal for use in development and will transition to production. The Interface will help increase the overall performance and reliability in high density military environment applications.

P/N 1003172-XXX		
MODEL SUFFIX	OUTPUT VOLTAGE	OUTPUT CURRENT
-001	5V	40A
-002	12.5V	19.2A
-003	15V	16A
-004	28V	9A
-005	8V	30A
-006	11.5V	20A
-007	18V	10A
-008	12V	20A
-009	24V	10A

1173 LOS OLIVOS AVE
LOS OSOS CA 93402
FAX 805 596 6006

powersys@rantec.com

www.rantec.com

805 596 6000

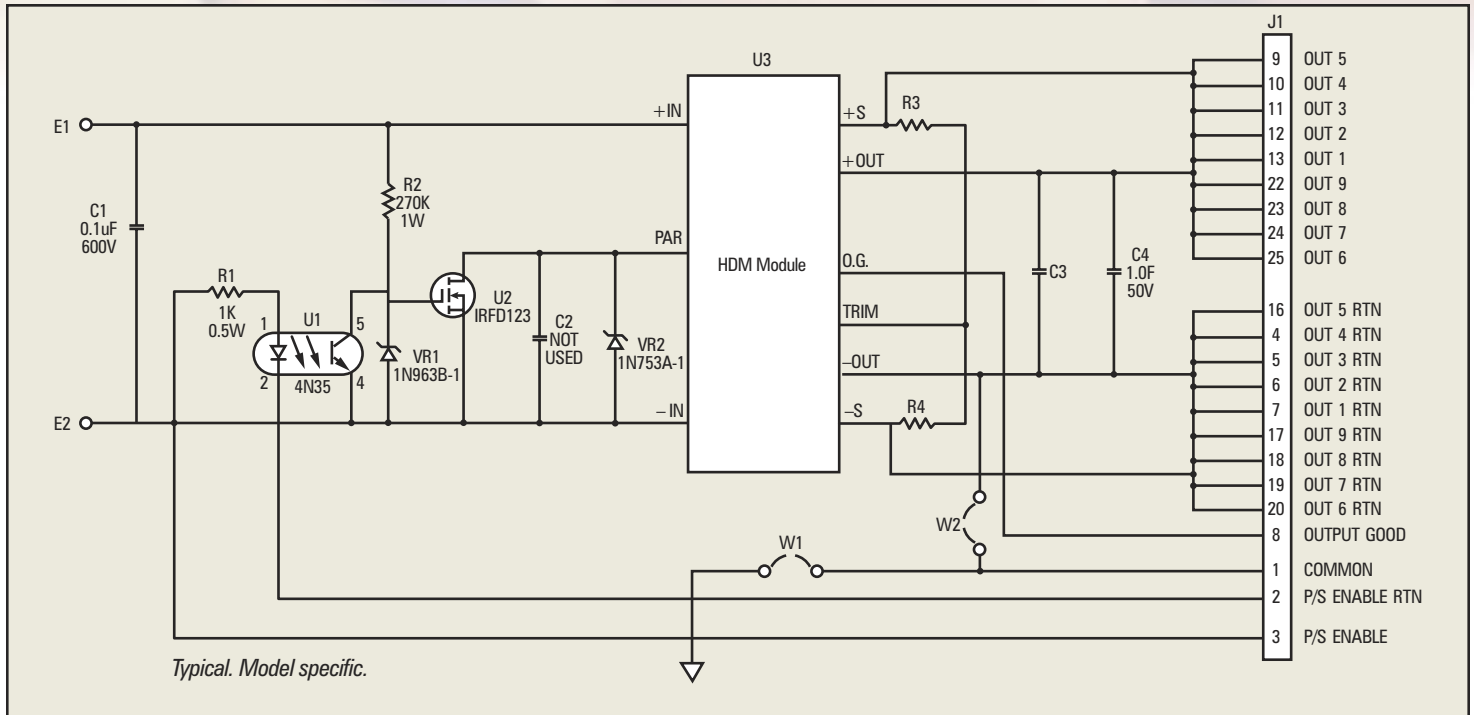
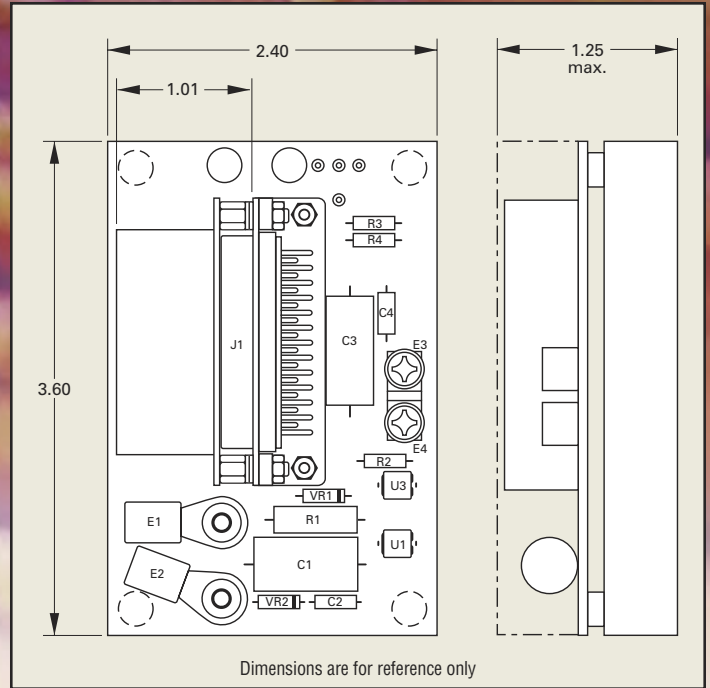


Rantec Power Systems Inc.

HDM-IA-P

Interface Assembly
270V input DC-DC Converter

ELECTRICAL	
Input Voltage	220 - 400VDC
Efficiency	75% typical
Output Voltage Ripple and Noise	< 1%
Static Regulation (Line and Load)	± 1%
Overload Protection	See separate HDM datasheet
Output Good	± 10% Active Low, open collector
Weight	< 10oz.
ISOLATION	
Input to Output	1000VDC
Input to Case	1000VDC
Output to Case	50VDC



Specifications subject to change without notice. ©2004 Rantec Power Systems Inc. All rights reserved.
DSLX-HDM-IA-P REV 041025

1173 LOS OLIVOS AVE
LOS OSOS CA 93402
FAX 805 596 6006
powersys@rantec.com
www.rantec.com
805 596 6000

