

Power Solutions for Today's Military

Power Systems from **COTS+** Building Blocks

HDM-IA-S

Interface Assembly
270V input DC-DC Converter

- ◆ Rantec HDM module with Interface Card
- ◆ True Plug-and-Play
- ◆ Ideal for use in development-will transition to production
- ◆ Conduction cooled
- ◆ Differential mode filtering
- ◆ Output voltage trim
- ◆ Shielded for improved EMI performance
- ◆ Isolated On/Off
- ◆ Wide input voltage range
- ◆ Competitively priced
- ◆ D-Sub output connector
- ◆ Remote sense
- ◆ Additional outputs and configurations available



SAMPLE MODEL

The HDM Interface assembly is a true plug-and-play DC to DC converter. Use "as-is" as a basic building block for performance based "Power System Solutions."

The assembly is ideal for use in development and will transition to production. The Interface will help increase the overall performance and reliability in high density applications.

PART NUMBER	26937	23752	23743	23744
OUTPUT VOLTAGE	3.3V	5.0V	12.0V	15.0V
OUTPUT CURRENT	40A	40A	20A	16A

1173 LOS OLIVOS AVE
LOS OSOS CA 93402
FAX 805 596 6006

powersys@rantec.com

www.rantec.com

805 596 6000



Rantec Power Systems Inc.

HDM-IA-S

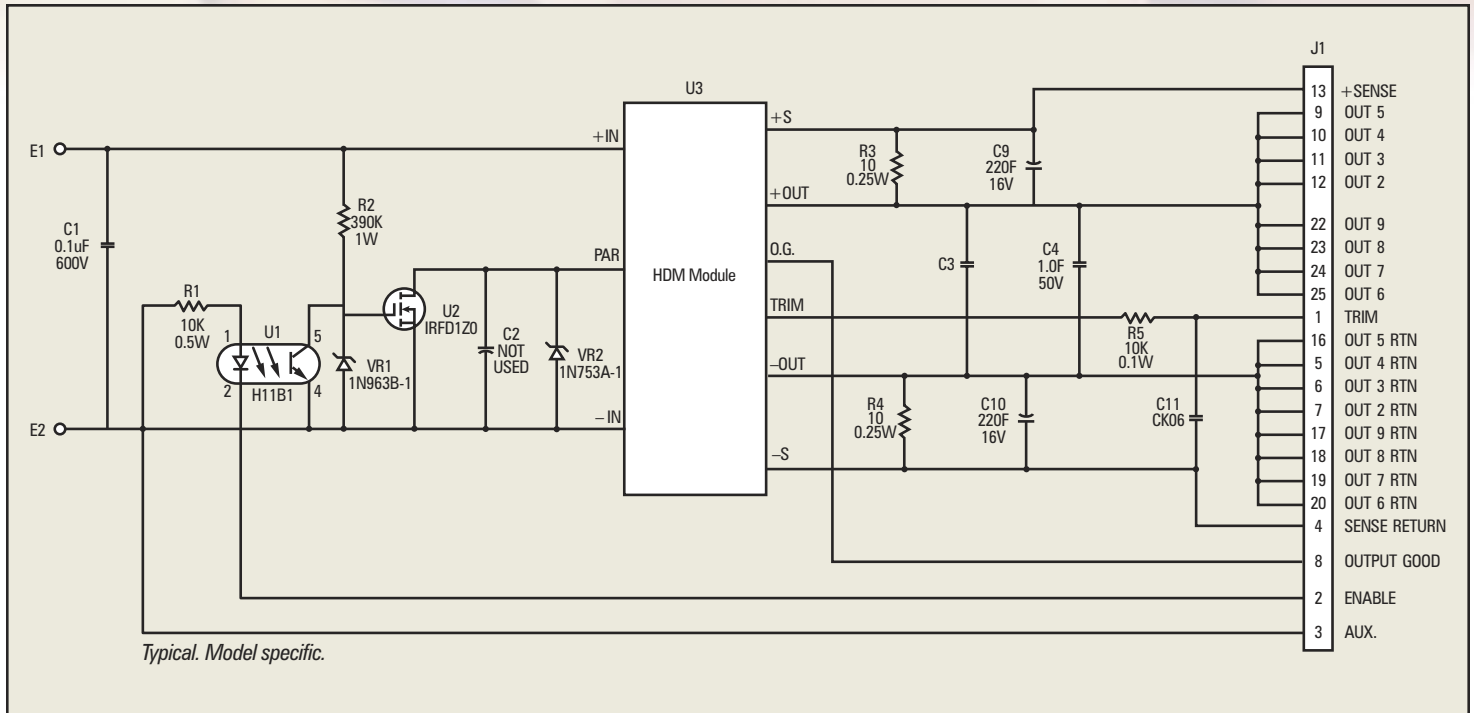
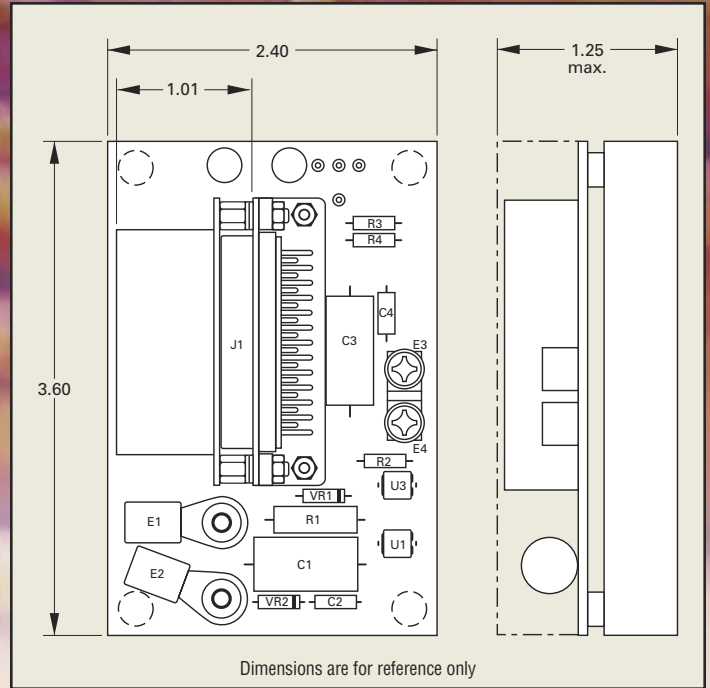
Interface Assembly 270V input DC-DC Converter

SPECIFICATIONS

Input Voltage	270VDC	220-400VDC
Efficiency	75%	Typical
Output Ripple and Noise	<2%	Nominal output voltage
Dynamic Regulation	5%	20-80% Full Load
Overvoltage Protection	120%	Nominal auto-recovery
Overload Protection	120%	Nominal auto-recovery
Output Overshoot	<5%	Turn-on/Turn-off
Output Good	±10%	Active low, open collector
Output Voltage Trim	±10%	
Weight	<10oz.	

ISOLATION

Input to Output	1000VDC	
Input to Case	1000VDC	
Output to Case	50VDC	



Specifications subject to change without notice. ©2004 Rantec Power Systems Inc. All rights reserved.
DSL-V-HDM-IA-S REV 041025

1173 LOS OLIVOS AVE
LOS OSOS CA 93402
FAX 805 596 6006
powersys@rantec.com
www.rantec.com
805 596 6000



Rantec Power Systems Inc.